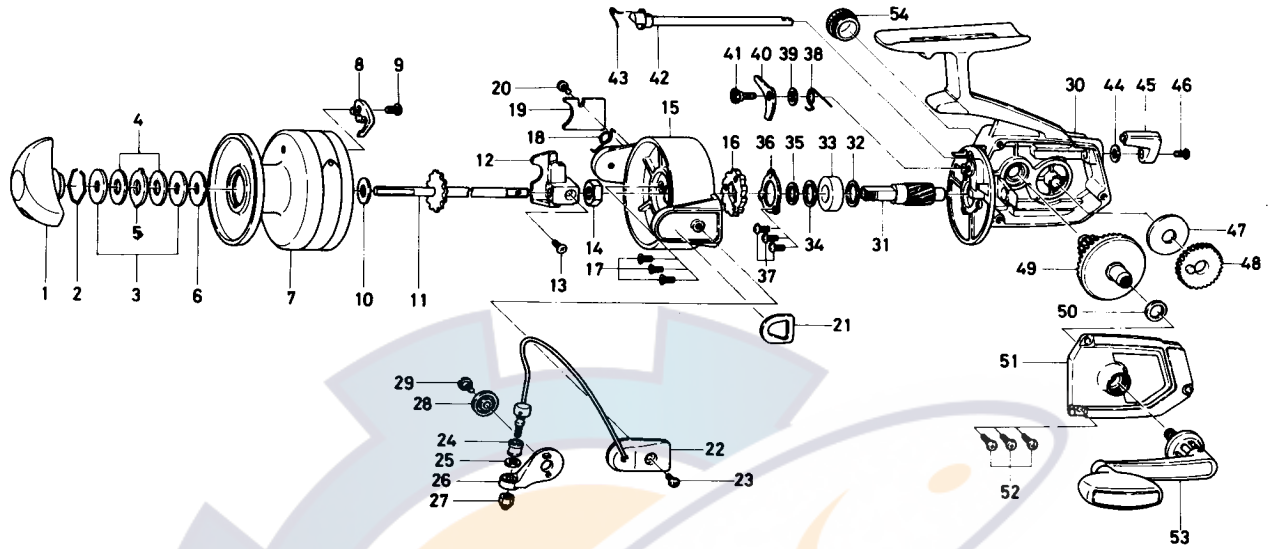


SPINNING REEL **B-400RL**



LINE CAPACITY: 300 YDS., 15 LB. TEST (270m. 6.8kg)

Key No. 2 ~ 9

6-733-0501 Spool assembly \$10.85

Key No.	Parts No.	Parts Name	Price Per Piece	Key No.	Parts No.	Parts Name	Price Per Piece
1	6-000-8241	Drag knob	\$2.15	28	6-130-3201	Bail holder cap	\$ .10
2	6-170-4511	Drag washer retainer	.10	29	6-363-1901	Arm lever screw	.30
3	6-372-7812	Drag D washer	.15	30	6-701-1001	Body	6.50
4	6-372-9011	Disc washer	.40	31	6-402-4611	Pinion gear	1.85
5	6-375-5401	Drag A washer	.15	32	6-371-2822	Pinion adjusting washer	.10
6	6-372-7701	Drag washer A	.15	33	6-632-2611	Shaft metal	1.15
7	6-733-0601	Spool	N/A	34	6-371-2822	Pinion washer B	.10
8	6-030-4411	Spool click claw	.15	35	6-372-8600	Pinion washer A	.10
9	6-351-6102	Spool click claw screw	.10	36	6-634-7011	Pinion collar ret. washer	.25
10	6-371-2730	Spool washer	.10	37	6-351-6601	Pinion collar ret. washer screw	.10
11	6-710-2214	Main shaft	1.10	38	6-142-3421	Anti-reverse claw spring	.15
12	6-481-1011	Oscillating slider	.60	39	6-373-2701	Anti-reverse claw washer	.10
13	6-351-8901	Oscillating slider screw	.10	40	6-110-9701	Anti-reverse claw	.60
14	6-340-8301	Rotor nut	.20	41	6-362-4211	Anti-reverse claw screw	.25
15	6-201-2222	Rotor	3.90	42	6-710-6111	Anti-reverse cam	1.20
16	6-280-4101	Ratchet	.65	43	6-144-0301	Anti-reverse cam spring	.15
17	6-352-0901	Ratchet screw	.10	44	6-373-2700	Anti-reverse lever washer	.10
18	6-144-2201	Bail spring	.10	45	6-541-1902	Anti-reverse lever	.15
19	6-633-0701	Bail spring cover	.15	46	6-352-2501	Anti-reverse lever screw	.10
20	6-351-1801	Bail spring cover screw	.10	47	6-374-5400	Oscillating gear washer	.10
21	6-210-3501	Balancer	.35	48	6-412-3611	Oscillating gear	.35
22	6-725-1214	Bail	2.95	49	6-413-8501	Drive gear	2.30
23	6-351-6401	Bail holder screw	.10	50	6-371-2820	Drive gear washer	.10
24	6-250-2811	Line roller	.30	51	6-706-7601	Body cover	2.40
25	6-373-4501	Roller collar	.25	52	6-351-8501	Body cover screw	.10
26	6-230-8121	Arm lever	1.40	53	6-747-1501	Handle	N/A
27	6-340-8501	Bail nut	.40	54	6-363-7401	Handle screw cap	.50